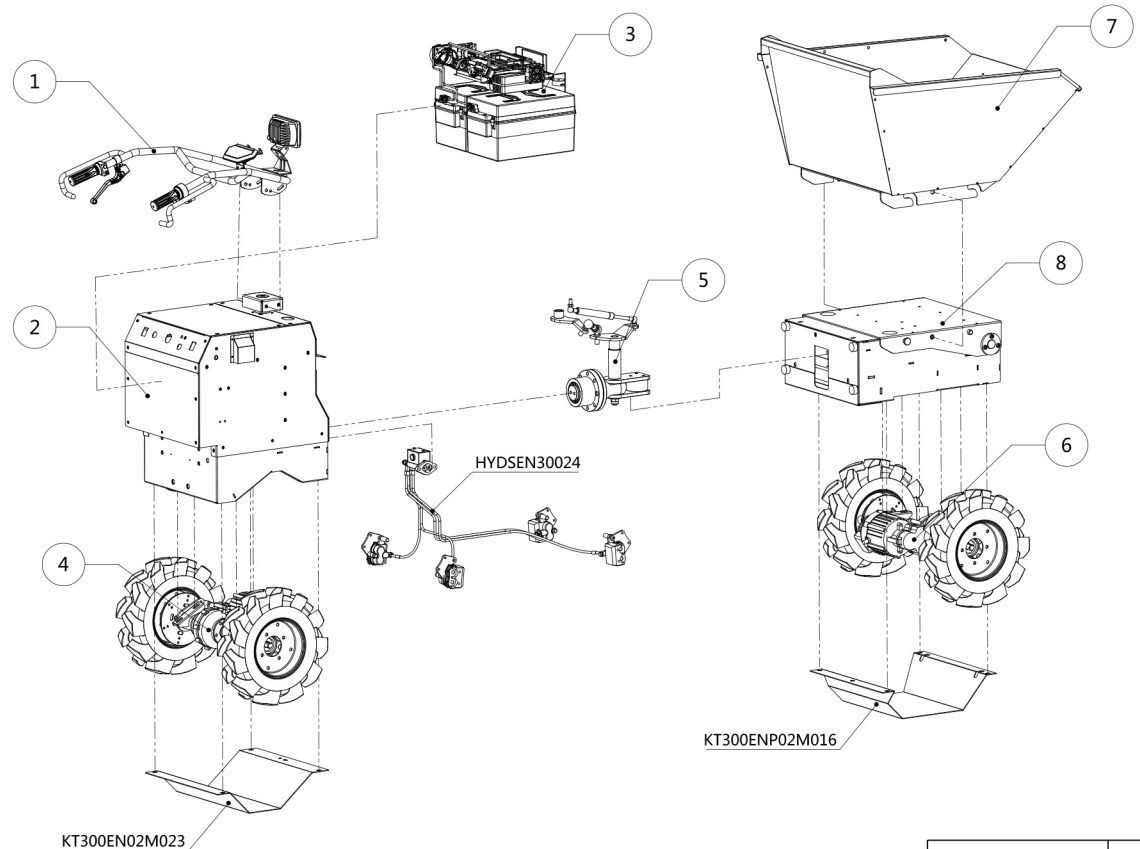

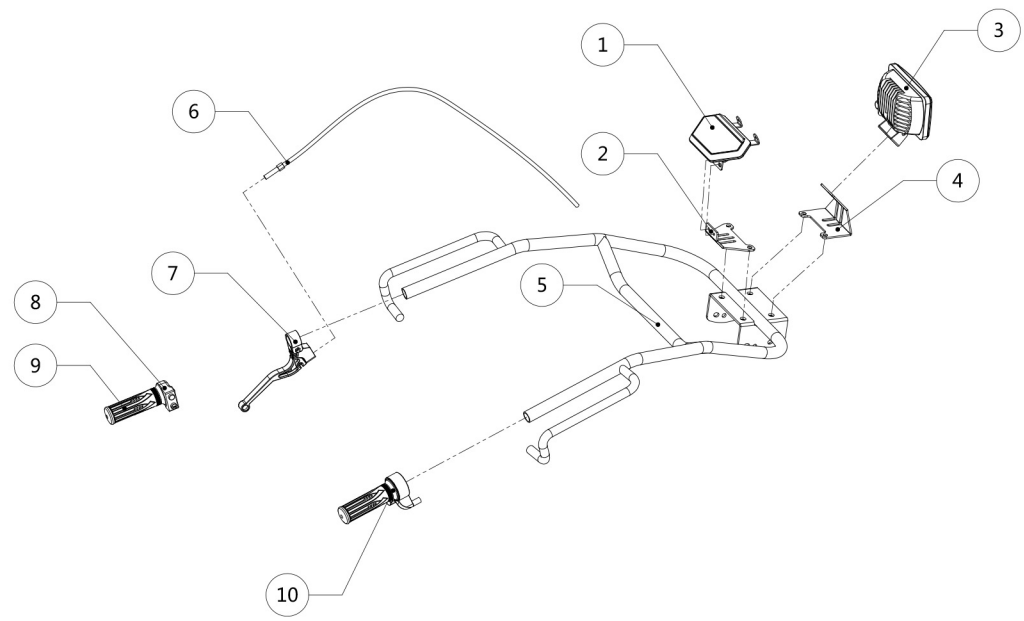


Item No	Description	Explain	Quantity
1	Handel bar System		1
2	Rear Part System		1
3	Electronic Control System		1
4	Rear Transmission		1
5	Steering System		1
6	Front Transmission		1
7	Skip Bucket		1
8	Front Part System		1



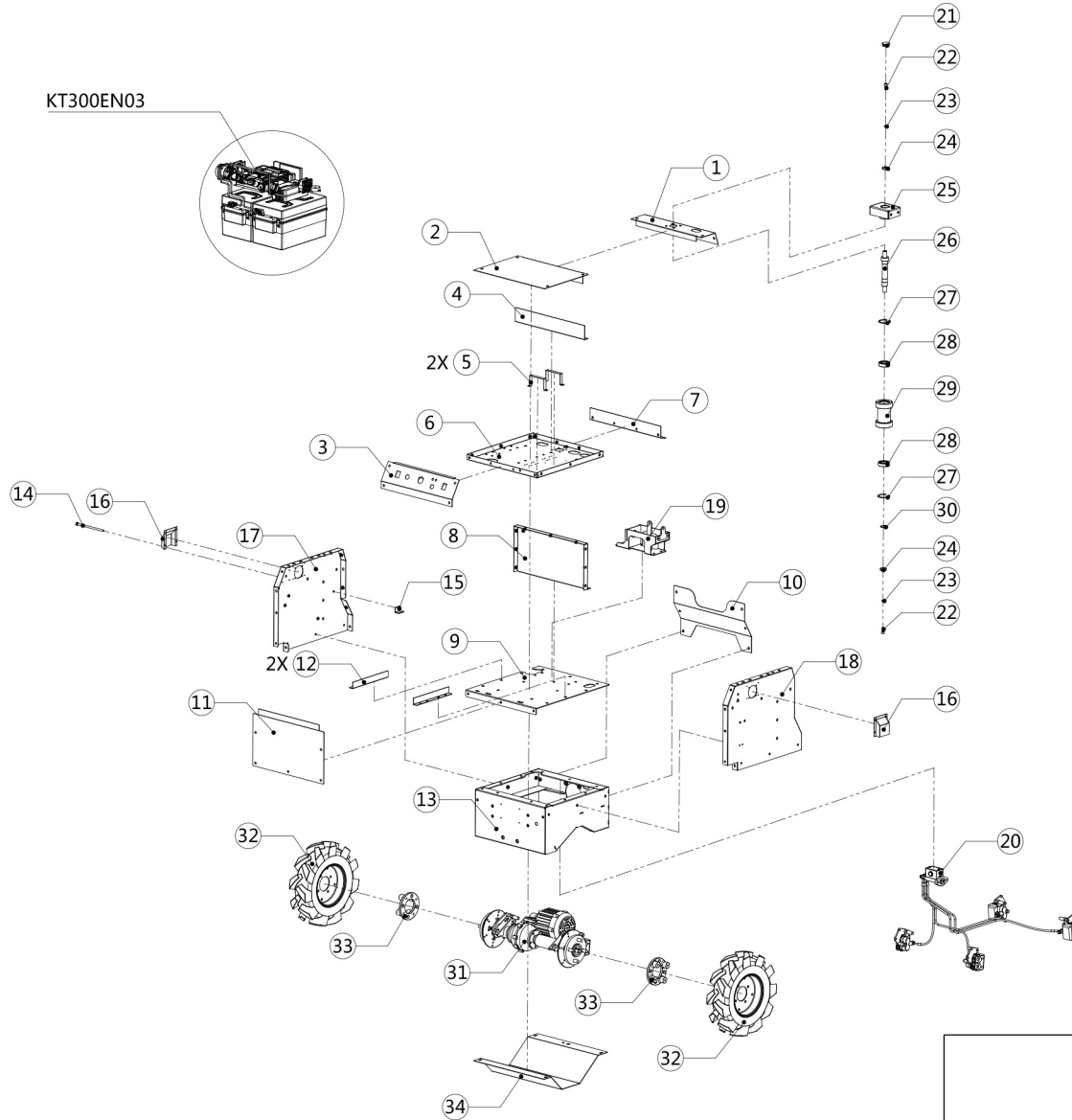
						2021-1.0	
						<b>EMD3004X4</b>	
						Delmer B.V. Hogeschoollaan 231 5037 GC Tilburg Netherlands	
							
						A3	

Item No	Description	Explain	Quantity
1	Meter		1
2	Meter Stand		1
3	Head lamp ( HL )		1
4	Lamp Stand		1
5	Handel Bar of Wheel Barrow ( New )		1
6	Brake Cable ( 201114 )		1
7	Catch lever ( K3 )		1
8	Switch ( DK21 )		1
9	Grip ( handlebar )		1
10	Grip Vehicle control switch		1



						2021-1.0	
				<b>EMD3004X4</b>			
				Delmer B.V.			
				Hogeschoollaan 231			
				5037 GC Tilburg Netherlands			
						A3	

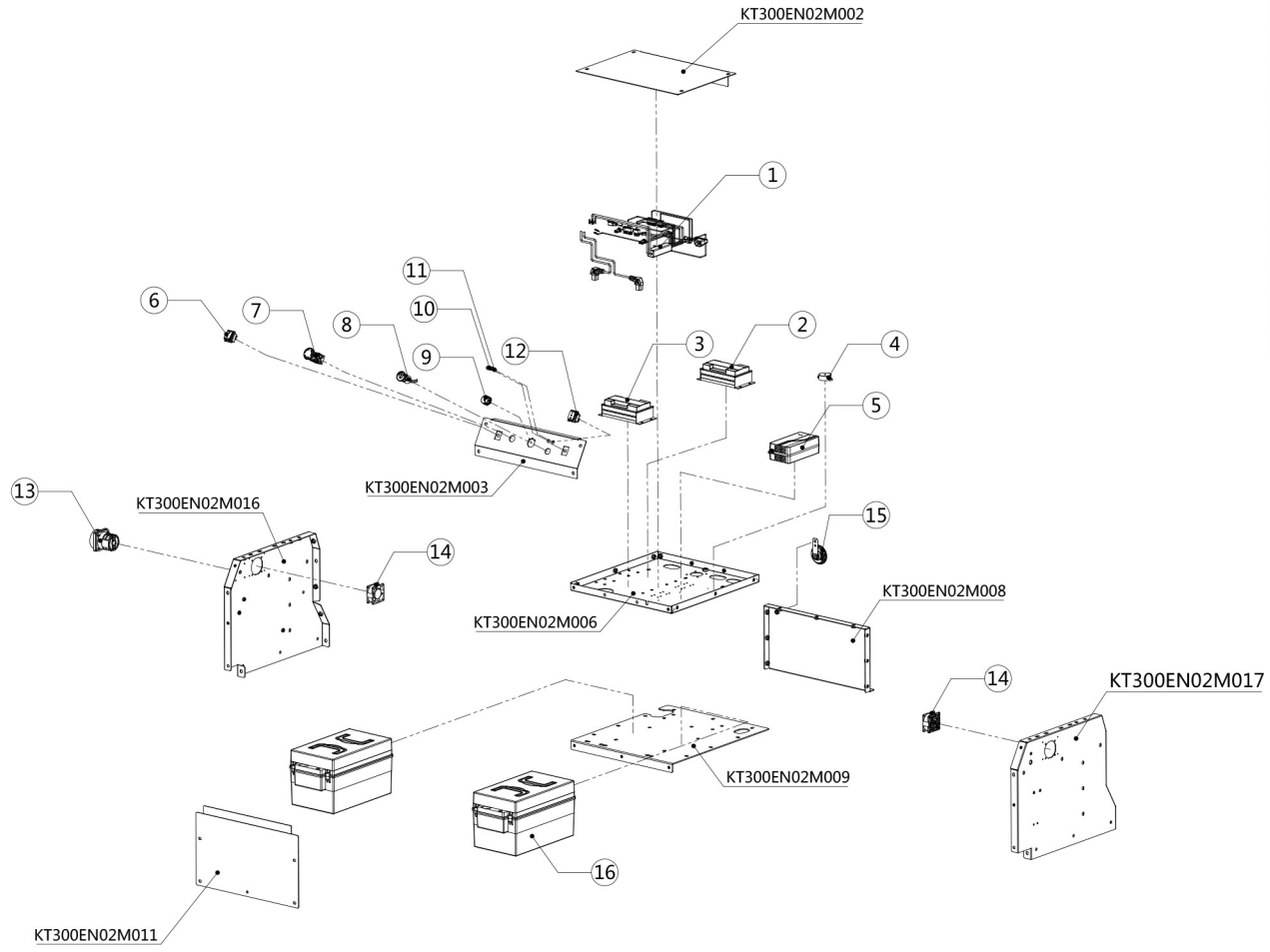
KT300EN03



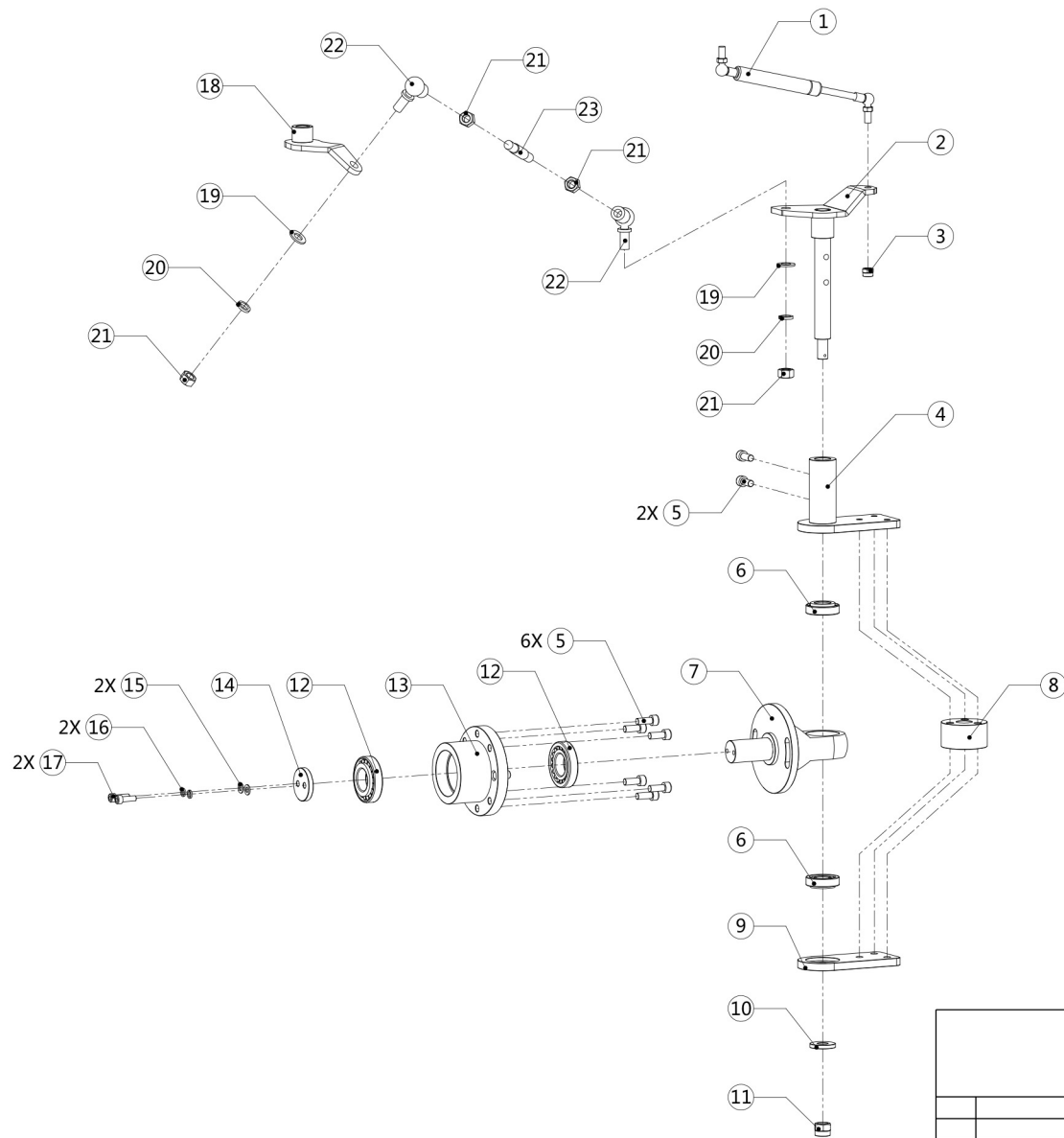
Item No	Description	Explain	Quantity
1	Steering Bearing Mount Up Cover 1		1
2	E Box Cover Up		1
3	Key Board		1
4	Water Protection Bar		1
5	Charger Clamp		2
6	E Box Mounting Plate		1
7	Water Protection Bar		1
8	Battery Mount Plate		1
9	Rear Basic Cover Up		1
10	E Box Front Cover		1
11	E Box Rear Cover		1
12	Battery Box Stand Bar		2
13	Rear Main plate		1
14	GB_FASTENER_BOLT_HHBFT C M8X160		1
15	Support Plate		1
16	Air Outlet Shield		2
17	Left Side cover boards		1
18	Right Side cover boards		1
19	Brake Pump Mount		1
20	Hydraulic Disc Brake		1
21	Pipe stopper 32		1
22	GB_FASTENER_BOLT_HFBB M8x25		2
23	GB_FASTENER_WASHER_SW 8		2
24	Clip-1		2
25	Bar Mount		1
26	Steering Bearing Up		1
27	GB Connecting Piece Ring Rrh 52		2
28	Rolling bearings 6205		2
29	Steering Bearing Mount Up		1
30	GB Connecting Piece Rings Csb 24		1
31	Electric Transmission Type KT-T13588DB ( R )		1
32	Wheel Complete(8")		2
33	Wheel Hub		2
34	Rear Bottom plate		1

				<b>EMD3004X4</b>	
				Delmer B.V. Hogeschoollaan 231 5037 GC Tilburg Netherlands	
				A3	

Item No	Description	Explain	Quantity
1	Bus Wiring		1
2	BLDC controller 48V ( B )		1
3	BLDC controller 48V ( A )		1
4	Buzzer		1
5	Charger 48V20AH		1
6	Headlamp Switch (2 Gears)		1
7	Emergency Stop Switch		1
8	Key Switch		1
9	Charging port		1
10	Charging Indicator (Green LED)		1
11	Charging Indicator (Red LED)		1
12	Headlamp Switch (3Gears)		1
13	Main power switch		1
14	Cooling Fans 48V		2
15	Horn		1
16	48V 20AH Battery		1



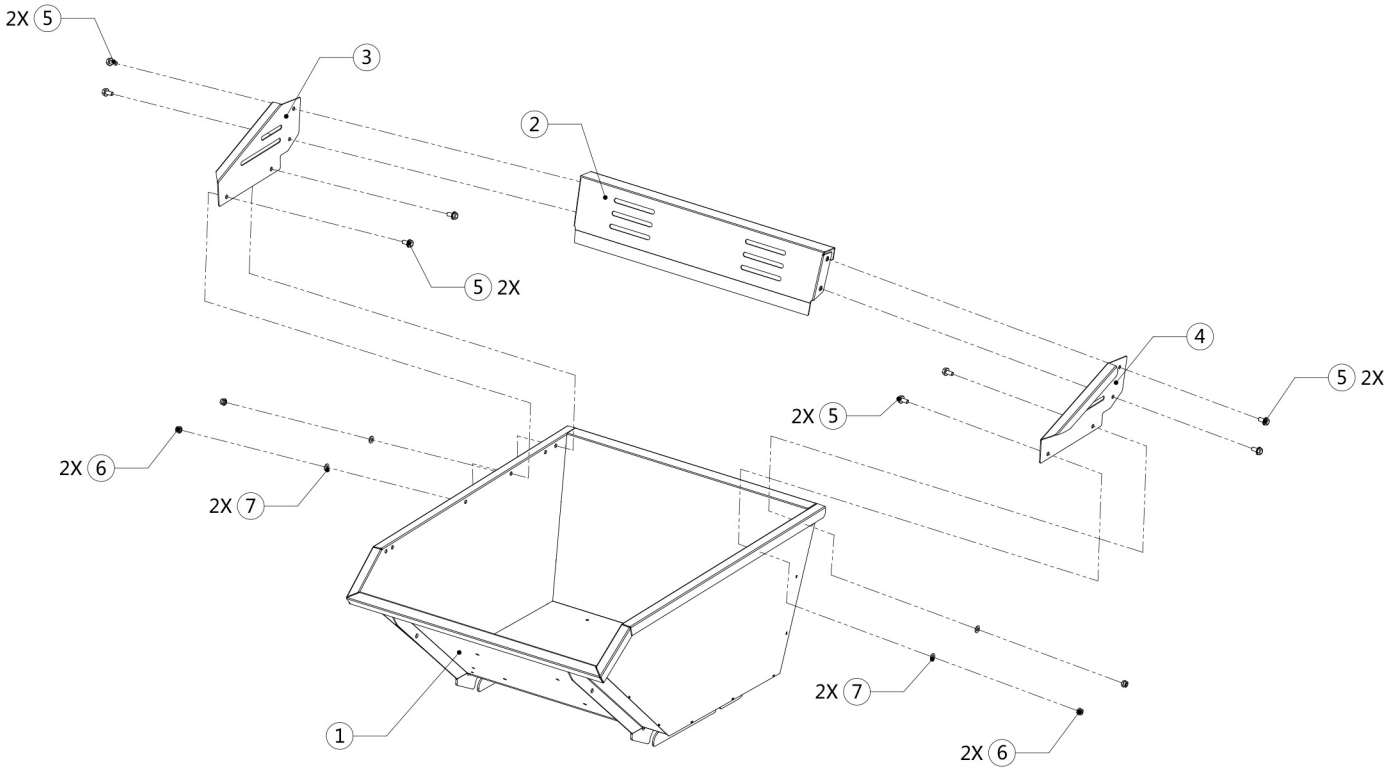
		2021-1.0	
		<b>EMD3004X4</b>	
		Delmer B.V. Hogeschoollaan 231 5037 GC Tilburg Netherlands	
		A3	



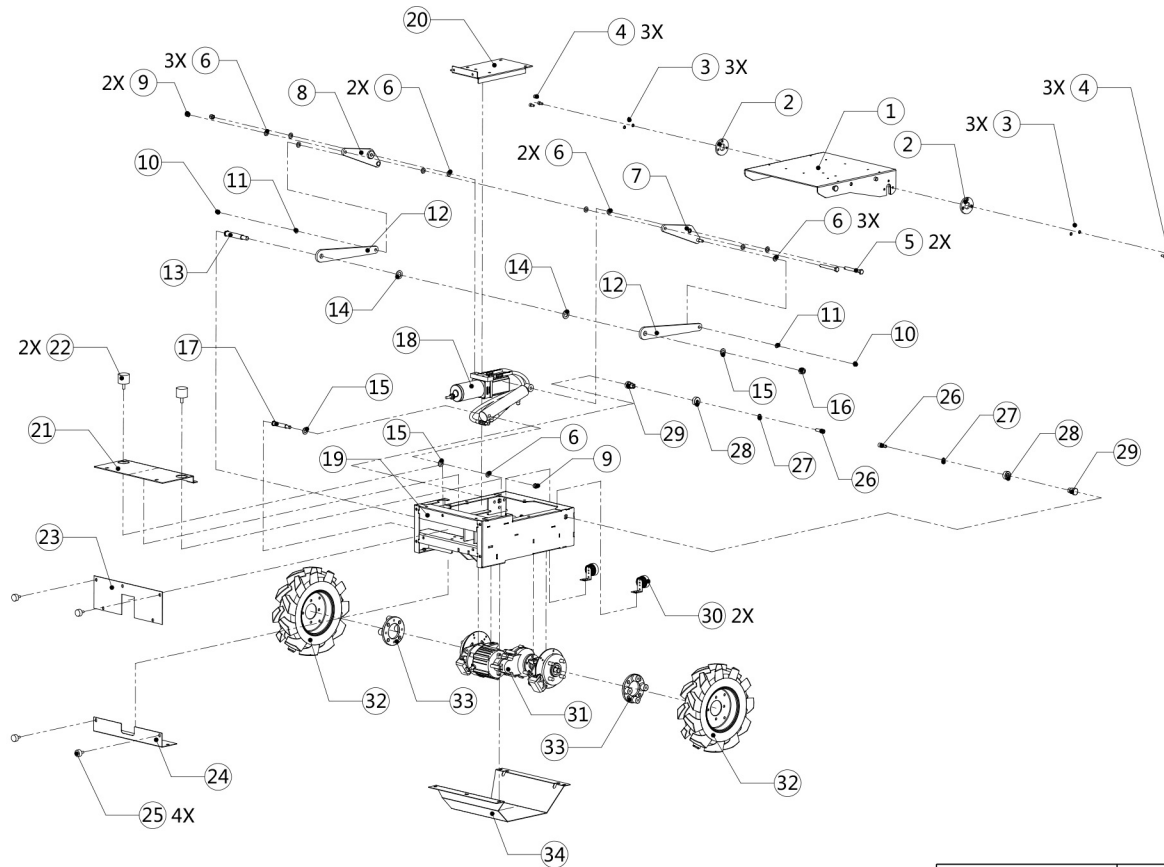
Item No	Description	Explain	Quantity
1	Gas Spring		1
2	Alxe		1
3	GB Hexagon Type9 M10		1
4	Alxe Washer		1
5	GB_FASTENER_SCREWS_HS HCS M10×25		8
6	Rolling bearings 30205		2
7	Connection Rod		1
8	Washer		1
9	Connection Plate Down		1
10	Clip-2		1
11	GB Hexagon Type9 M16		1
12	Rolling bearings 30207		2
13	Flange		1
14	Plate		1
15	GB_FASTENER_WASHER_PW NA 8		2
16	GB_FASTENER_WASHER_SW 8		2
17	GB_FASTENER_SCREWS_HS HCS M8×25		2
18	Steering Plate Up		1
19	GB_FASTENER_WASHER_PW NA 14		2
20	GB_FASTENER_WASHER_SW 14		2
21	GB_FASTENER_NUT_SNAB1X Y M14X1.5		4
22	CSM14 Ball joint		2
23	Connection Road for Steering		1

		2021-1.0	
		<h1>EMD3004X4</h1>	
		Delmer B.V. Hogeschoollaan 231 5037 GC Tilburg Netherlands	
		A3	

Item No	Description	Explain	Quantity
1	9cu ft skip		1
2	Extension B		1
3	Extension A (R)		1
4	Extension A (L)		1
5	GB_FASTENER_BOLT_HFBB M8x16		8
6	GB Hexagon Type9 M8		4
7	GB_FASTENER_WASHER_PW NA 8		4



						2021-1.0	
						<b>EMD3004X4</b>	
				Delmer B.V. Hogeschoollaan 231 5037 GC Tilburg Netherlands			
						A3	



Item No	Description	Explain	Quantity
1	Skip Bucket Mounting Plate		1
2	Flange		2
3	GB_FASTENER_WASHER_SW 8		6
4	GB_FASTENER_SCREWS_HS HCS M8×16		6
5	Bolt (half screw)		3
6	GB_FASTENER_WASHER_PW NA 12		11
7	Power Arm2 (R)		1
8	Power Arm2 (L)		1
9	GB Hexagon Type9 M12		3
10	GB Hexagon Type9 M10		2
11	GB_FASTENER_WASHER_PW NA 10		2
12	Power Arm1		2
13	Pin shaft 2099		1
14	GB_FASTENER_WASHER_PW NA 20		2
15	GB_FASTENER_WASHER_PW NA 16		3
16	GB Hexagon Type9 M16		1
17	Pin shaft 1679		1
18	Electric Hydro Piston System		1
19	Front Main plate		1
20	Front Basic Cover Top Cover(A)		1
21	Front Basic Cover Top Cover(B)		1
22	Impingement block VE 50×40-M10×28		2
23	Front Basic Back Cover Up		1
24	Front Basic Back Cover Down		1
25	Impingement block VE 30×15-M8×23		4
26	GB_FASTENER_SCREWS_HS HCS M12×35		2
27	GB_FASTENER_WASHER_SW 12		2
28	Alex Pin Clamp		2
29	Shaft Pin		2
30	Low Beam (LB)		2
31	Electric Transmission Type KT-T13588DB ( F )		1
32	Wheel Complete(8")		2
33	Wheel Hub		2
34	Front Bottom plate		1

		2021-1.0	
		<h1>EMD3004X4</h1>	
		Delmer B.V. Hogeschoollaan 231 5037 GC Tilburg Netherlands	
		A3	