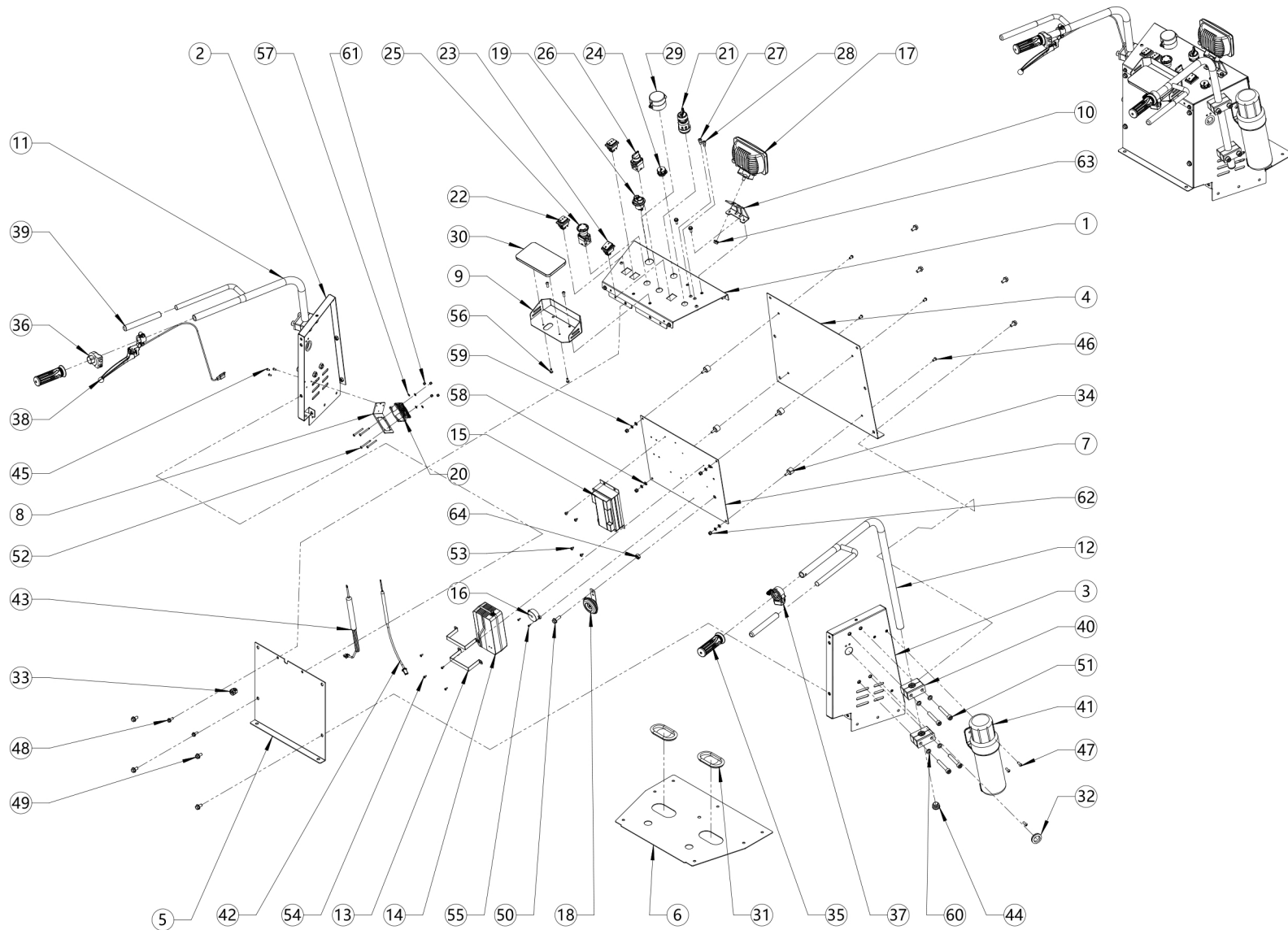


		Description	
1	500EZP01	Electric Box	1
2	500EZP02	Main Plate	1
3	500EZP03	Electric Machinery Compartment	1
4	500EZP04	Back Wheel	1
5	500EZP05	186L skip	1
6	500EZP06	Front Drive Assy.	1
7	500EZP07	Lifting System Assy.	1
8	A.500EP0801	Cylinder Pin Shaft	1
9	A.500EP1102	Connector	1
10	A.500EZ0307	Chassis Protection Board	1
11	B.1210.002	Lightweight dual hole tubing clamp	1
12	B.1202.002	Impingement Block VE D×H-M8×23	2
13	C.0301.10	GB_FASTENER_WASHER_SMWC 10	6
14	C.0301.12	GB_FASTENER_WASHER_SMWC 12	4
15	C.0301.20	GB_FASTENER_WASHER_SMWC 20	2
16	C.0302.10	GB_FASTENER_WASHER_SSWL 10	4
17	C.0302.12	GB_FASTENER_WASHER_SSWL 12	4
18	C.0203.10	GB_HEXAGON_TYPE9 M10-N	2
19	C.0103.1025	GB_FASTENER_SCREWS_HSHCS M10X25-C	4
20	C.0103.1230	GB_FASTENER_SCREWS_HSHCS M12X30-C	4
21	C.0204.08	GB_HEXAGON_TYPE12 M8-N	2
22	C.0206.08	GB_FASTENER_NUT_LN M8-N	2
23	C.0102.0816	GB_FASTENER_BOLT_HFBB M8X16-N	31
24	C.0102.0850	GB_FASTENER_BOLT_HFBB M8X50-N	1
26	C.0102.0820	GB_FASTENER_BOLT_HFBB M8X20-N	8
27	C.0102.1020	GB_FASTENER_BOLT_HFBB M10X20-N	6
28	C.0102.1080	GB_FASTENER_BOLT_HFBB M10X80-N	2
29	C.0401.20	GB_CONNECTING_PIECE_RINGS_CSB 20	2

EMD500HLS

Delmer B.V.
Hogeschoollaan 231
5037 GC Tilburg
Netherlands



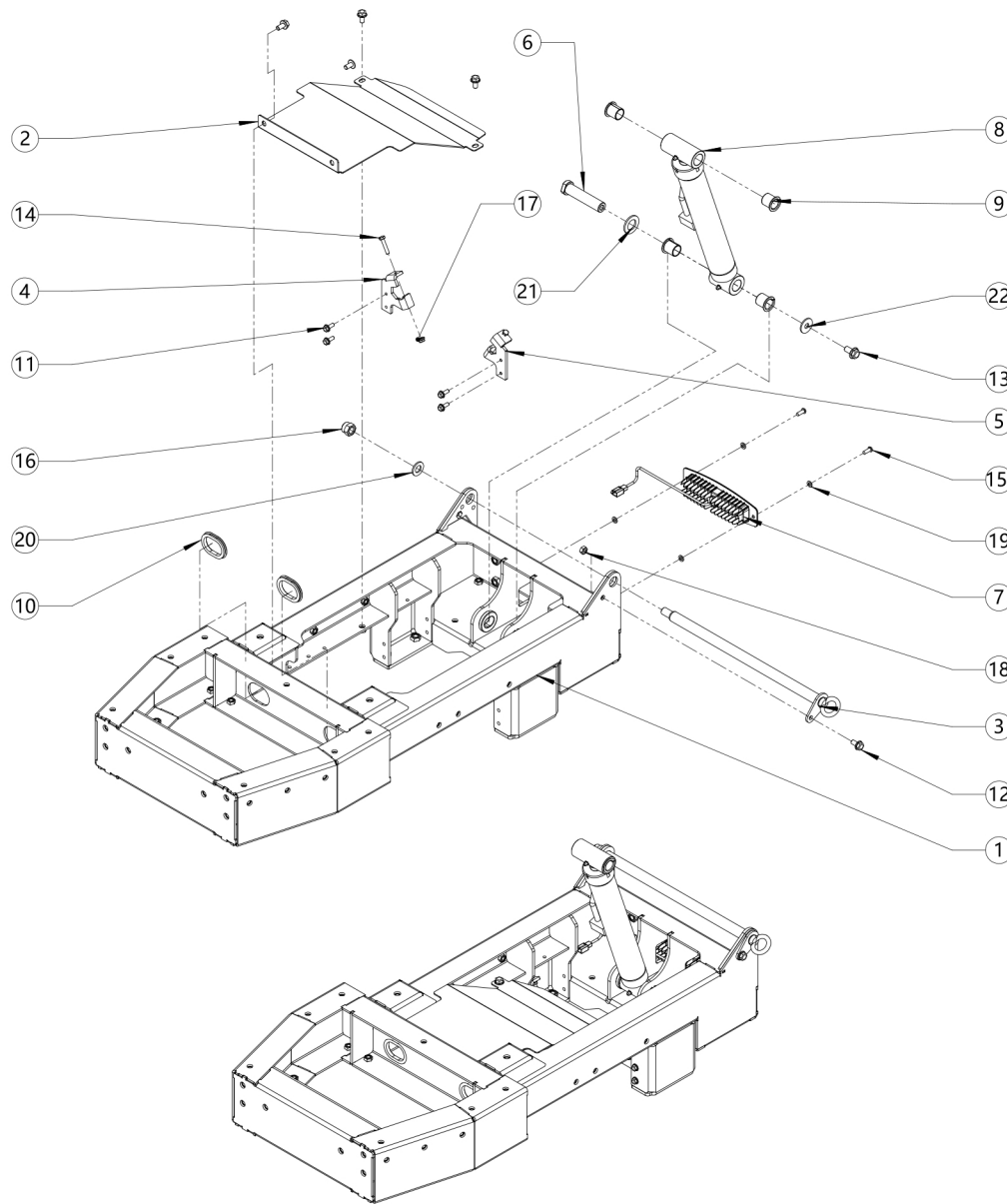


1	A.501E0100	E Box Cover Up	1
2	A.501E0102L	Left Side cover boards	1
3	A.501E0102R	Right Side cover boards	1
4	A.501E0103	E Box Front Cover	1
5	A.501E0104	E Box Rear Cover	1
6	A.501E0105	E Box Base Plate	1
7	A.501E0106	E Box Mounting plate	1
8	A.501E0107	Cooling Fans Stand	1
9	A.501E0108	Meter Stand	1
10	A.501E0109	Lamp Stand	1
11	A2.501E0110L	Handle Bar Left	1
12	A2.501E0110R	Handle Bar Right	1
13	A.300EN0416	Charger Clamp	2
14	B.0904.006	Charger 48V20AH	1
15	B.0202.002	BLDC controller 48V	1
16	B.0908.001	Buzzer 48V	1
17	B.0906.001	Head lamp 48V	1
18	B.0909.0	Hom 48V	1
19	B.1109.004	Main power switch	1
20	B.0907.00	Cooling Fans 48V	1
21	B.1106.004	Key Switch+Headlight switch	1
22	B.1105.003	Lifting / Tipping Switch	2
23	B.1105.001	Headlamp Switch	1
24	B.1004.003	Detector	1
25	B.1101.002	E emergency Stop Switch 22mm (NP2)	1
26	B.1109.002	3 Gears Switch 22mm (NP2-8D33)	1
27	B.1004.001	Charging Indicator(Red LED) 3V10mm	1
28	B.1004.002	Charging Indicator(Green LED) 3V10mm	1
29	B.1209.003	Main power switch cover	1
30	B.0910.004	Meter	1
31	B.1203.080	Power Cable Flinger 80	2
32	B.1203.030	Power Cable Flinger 30	2
33	B.1208.004	Nylon cable clamp 7P-2	1
34	B.1202.001	Shock absorber pad VD20 x 15 M6 x 18 hardness 65	4
35	B.1111.004	Grip (handlebar)	2
36	B.1110.001	Switch DK21	1
37	B.1111.005	Throttle	1
38	B.1104.001	Dead Man Lever	1
39	B.1207.002	Handle Bar Coa	2
40	B.1210.001	Aluminum Pipe Clamp	4
41	B.1213.001	Storage Bucket	1
42	B.1009.008	Hydraulic line	1
43	B.1007.006	Bus Wiring	1
44	B.1204.025	Round plug Ø25	2
45	C.0104.008	GB_SOCKET_TYPE7 M4X8-N	3
46	C.0104.00808	GB_SOCKET_TYPE7 M4X8-N	4
47	C.0104.0616	GB_SOCKET_TYPE7 M6X16-N	7
48	C.0102.0616	GB_FASTENER_BOLT_HF8B M6X16-N	8
49	C.0102.0816	GB_FASTENER_BOLT_HF8B M8X16-N	8
50	C.0102.0825	GB_FASTENER_BOLT_HF8B M8X25-N	1
51	C.0103.1065	GB_FASTENER_SCREWS_HSHCS M10X65-C	8
52	C.0110.0440	GB_CROSS_SCREWS_TYPE1 M4X40-40 H type-N	4
53	C.0108.0510	GB_CROSS_SCREWS_TYPE128 ST4.8X9.5 H C-N	4
54	C.0108.0410	GB_CROSS_SCREWS_TYPE128 ST3.5X9.5 H C-N	4
55	C.0108.0310	GB_CROSS_SCREWS_TYPE128 ST2.9X9.5 H C-N	2
56	C.0105.0512	GB_CROSS_SCREWS_TYPE1 MSX12-12 H type-N	2
57	C.0103.04	GB_FASTENER_WASHER_SMCW 4	4
58	C.0103.06	GB_FASTENER_WASHER_SMCW 6	4
59	C.0302.04	GB_FASTENER_WASHER_SSWL 6	4
60	C.0302.10	GB_FASTENER_WASHER_SSWL 10	8
61	C.0203.04	GB_HEXAGON_TYPE9 M4-N	4
62	C.0203.06	GB_HEXAGON_TYPE9 M6-N	4
63	C.0204.08	GB_HEXAGON_TYPE12 M8-N	1
64	C.0202.10	GB_FASTENER_NUT_SNAB1 M10-N	1


EMD500HLS

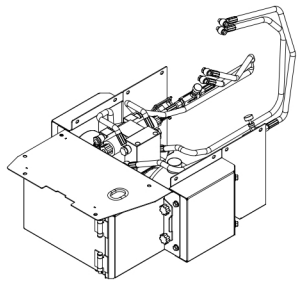
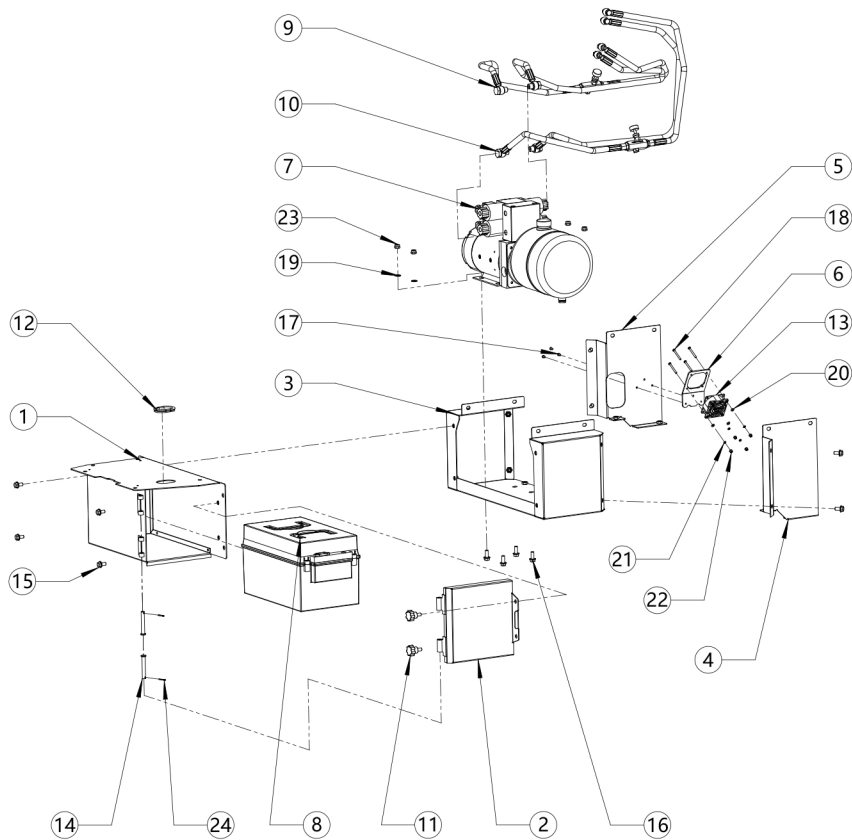
Delmer B.V.
Hogeschoollaan 231
5037 GC Tilburg
Netherlands





		Description	
1	A.501EZ020100	Chassis welding assembly	1
2	A.501EZ0306	Basic Cover Top cover	1
3	A.501EZ070400	Bucket Pin Shaf	1
4	A.501E0308L	Throttle Valve Locking Block Left	1
5	A.501E0308R	Throttle Valve Locking Block Right	1
6	A.501E0702	Cylinder Pin Shaft B	1
7	B.0906.002	Low Beam	1
8	B.0704.005	Cylinder	1
9	C.0505.001	Upsiding Down Edges Bushing 20250	4
10	C.1203.050	Power Cable Flinger 50	2
11	C.0101.0616	GB_FASTENER_BOLT_HFBB M6X16-N	4
12	C.0101.0816	GB_FASTENER_BOLT_HFBB M8X16-N	5
13	C.0102.1020	GB_FASTENER_BOLT_HFBB M10X20-N	1
14	C.0101.0630	GB_FASTENER_BOLT_STBAB A M6X30-N	2
15	C.0104.0616	GB_SOCKET_TYPE7 M6X16-N	2
16	C.0202.14.1	GB_HEXAGON_TYPE11 M14X1.5-N	1
17	C.0204.06	GB_HEXAGON_TYPE12 M6-N	2
18	C.0202.08	GB_FASTENER_NUT_SNAB1 M8-N	1
19	C.0301.06	GB_FASTENER_WASHER_SMWC 6	4
20	C.0301.14	GB_FASTENER_WASHER_PWNA 14	1
21	C.0301.20	GB_FASTENER_WASHER_SMWC 20	1
22	C.0301.10.1	GB_FASTENER_WASHER_PWLAC 10	1

EMD500HLS	
Delmer B.V. Hogeschoollaan 231 5037 GC Tilburg Netherlands	
	

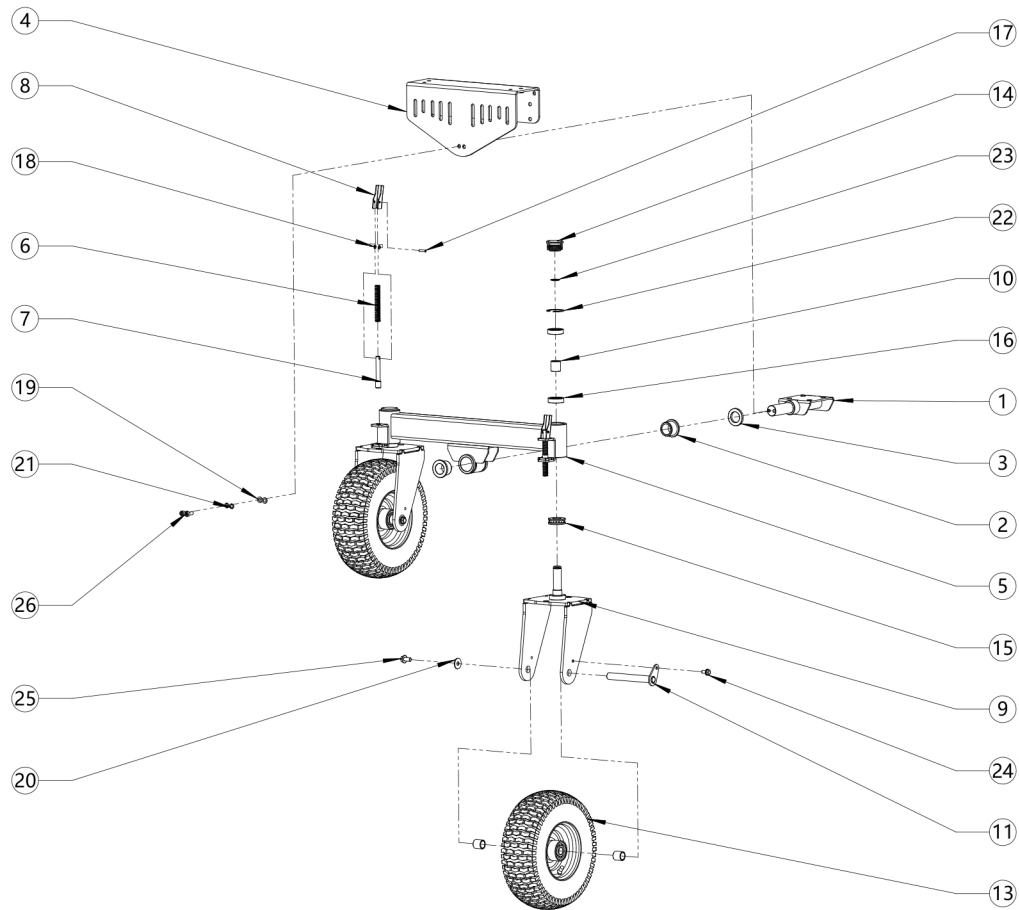


		Description	
1	A.501EZ030100	Battery Compartment	1
2	A.501EZ030200	Battery Compartment cover	1
3	A.501EZ0303	Electric Machinery Compartment	1
4	A.501EZ0304L	Left Electric Machinery Compartment Side Piece	1
5	A.501EZ0304R	Right Electric Machinery Compartment Side Piece	1
6	A.501EZ0305	Cooling Fans Stand	1
7	B.0703.004	DC48V0.8KWS2-02-2-4L-H	1
8	B.03.010	48V 20AH Battery	1
9	B.0705.005	oil pipe assembly	1
10	B.0705.006	oil pipe assembly	1
11	B.1112.002	Plum blossom screw	2
12	B.1203.050	Power cord protector 50 (for 300ES)	1
13	B.0907.002	Cooling Fans 48V	1
14	C.0901.0964	Pin 9*64	2
15	C.0102.0816	GB_FASTENER_BOLT_HFBB M8X16-N	8
16	C.0102.0820	GB_FASTENER_BOLT_HFBB M8X20-N	4
17	C.0104.0408	GB_SOCKET_TYPE7 M4X8-N	3
18	C.0110.0440	GB_CROSS_SCREWS_TYPE2 M4X40-40 H type-N	4
19	C.0301.08	GB_FASTENER_WASHER_SMWC 8	4
20	C.0301.04	GB_FASTENER_WASHER_SMWC 4	8
21	C.0302.04	GB_FASTENER_WASHER_SW 4	4
22	C.0203.04	GB_HEXAGON_TYPE9 M4-N	4
23	C.0203.08	GB_HEXAGON_TYPE9 M8-N	4
24	C.0605.008	GB_CONNECTING_PIECE_PIN_AP 2.5X16	2

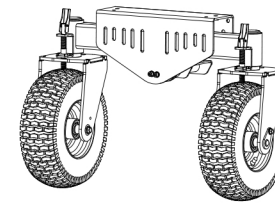
EMD500HLS

Delmer B.V.
 Hogeschoollaan 231
 5037 GC Tilburg
 Netherlands





		Description	
1	A.501E040100	Balance shaft	1
2	A.501E0402	Balance shaft bearing Bushing n.	2
3	A.501E0403	Balance shaft Clip	1
4	A.501E0404	Back Suspension Stop	1
5	A.501EZ040500	Back Suspension	1
6	A.501E0406	Directional Latch Spring	2
7	A.501E0407	Directional Latch	2
8	A.501E0408	Directional Latch Handle	2
9	A.501E040900	Mecanum Wheel Stand	2
10	A.501E0410	Mecanum Wheel Bearing Bolck	2
11	A.501E041100	Mecanum Wheel Axle	2
12	A.501E0412	Mecanum Wheel bearing	4
13	B.0103.001	Wheel Complete 13x5.00-6	2
14	B.1204.050	Pipe stopper 50	2
15	B.0502.51205	Rolling bearings 51205 GB 301-1995	2
16	B.0501.60-22	Rolling bearings 60-22 GB 276-94	4
17	B.0601.0522	GB_PARALLEL_PINS_TYPE7 5X22	2
18	C.0301.05	GB_FASTENER_WASHER_SMWC 5	4
19	C.0301.08	GB_FASTENER_WASHER_SMWC 8	2
20	C.0301.10.1	GB_FASTENER_WASHER_PWLAC 10	2
21	C.0302.08	GB_FASTENER_WASHER_SSWL 8	2
22	C.0402.45	GB_CONNECTING_PIECE_RINGS_CHB 45	2
23	C.0401.22	GB_CONNECTING_PIECE_RING_RRA 24	2
24	C.0102.0816	GB_FASTENER_BOLT_HFBB M8X16-N	2
25	C.0102.1020	GB_FASTENER_BOLT_HFBB M10X20-N	2
26	C.0103.0820.1	GB_FASTENER_SCREWS_HSHCS M8X20-C	2

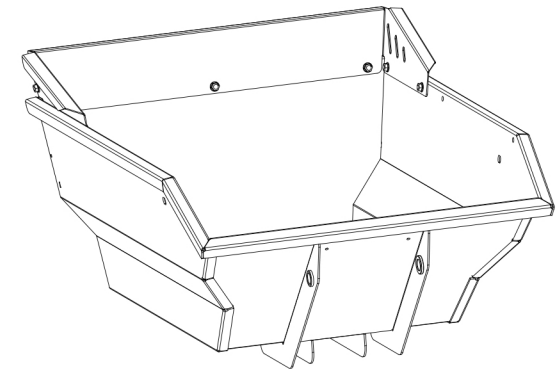
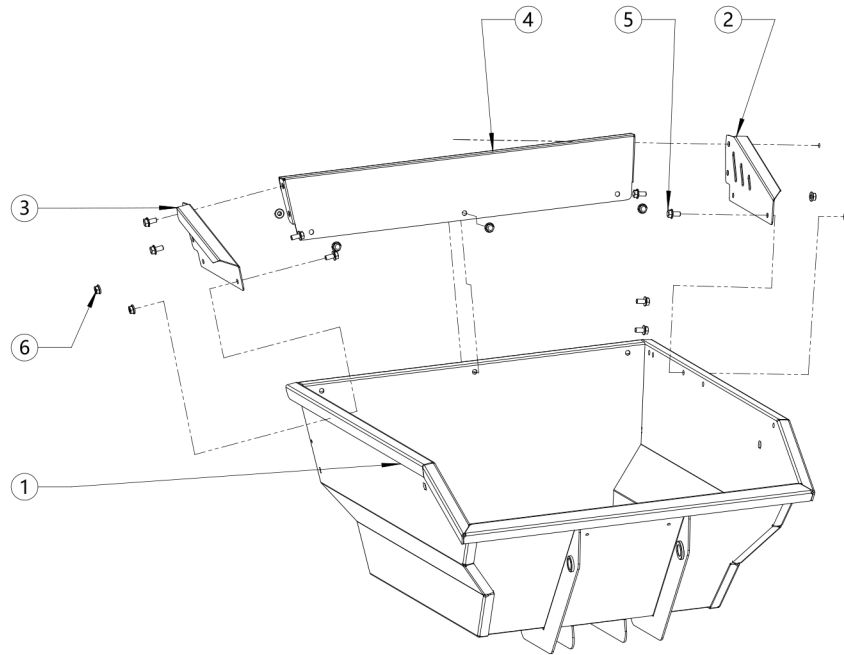


EMD500HLS

Delmer B.V.
 Hogeschoollaan 231
 5037 GC Tilburg
 Netherlands



			Description	
1	A.501EZP050100		186L skip	1
2	A.501EP0502L		Left Rear Plate Gusset A	1
3	A.501EP0502R		Right Rear Plate Gusset A	1
4	A.501EZ0503		Rear Plate Gusset B	1
5	C.0102.0816		GB_FASTENER_BOLT_HFBB M8X16-N	11
6	C.0204.08		GB_HEXAGON_TYPE12 M8-N	7

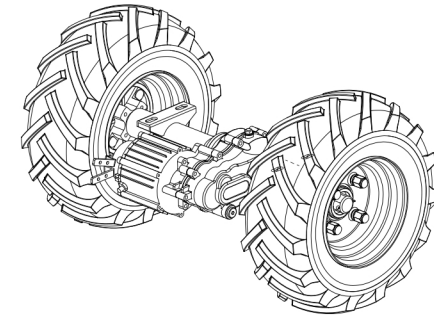
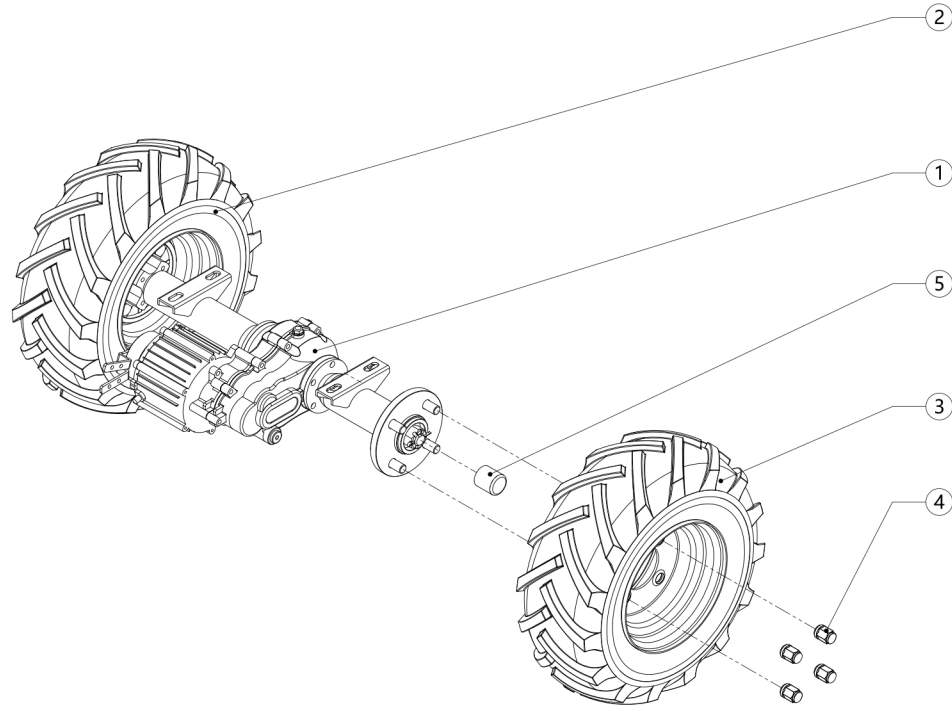



EMD500HLS

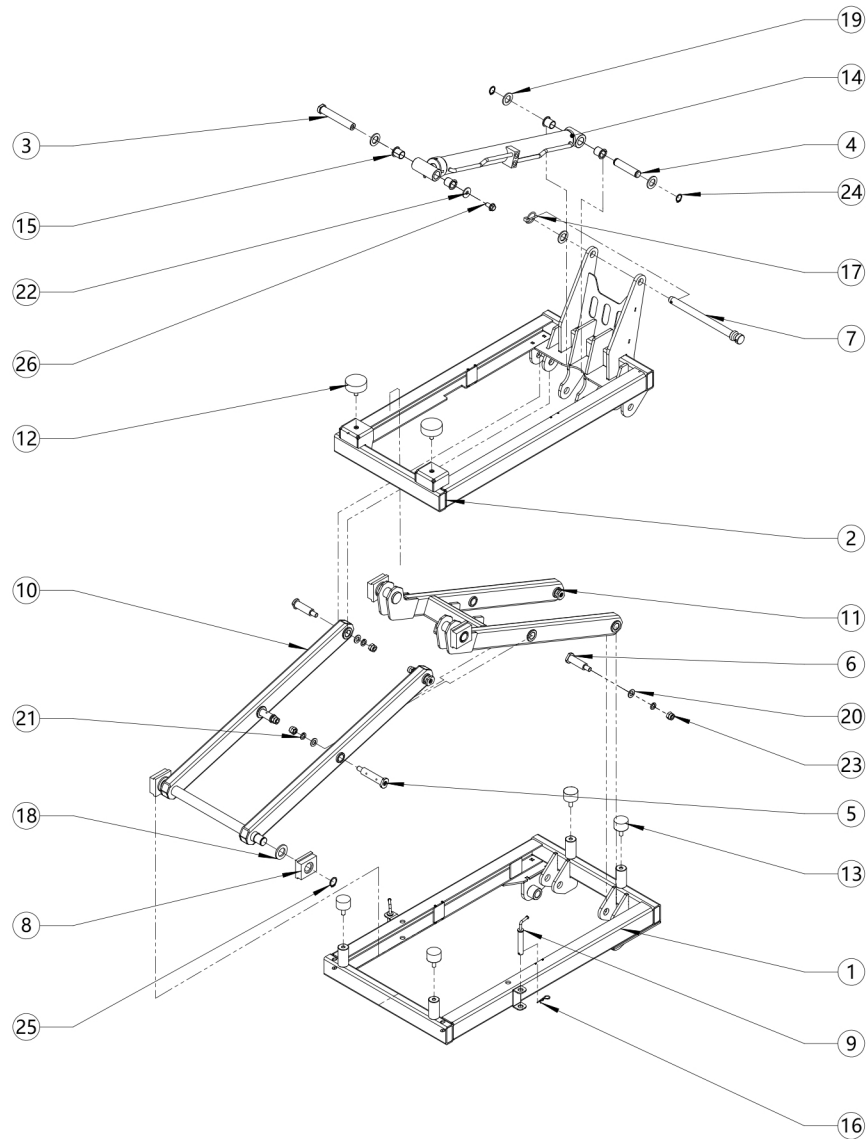
Delmer B.V.
Hogeschoollaan 231
5037 GC Tilburg
Netherlands



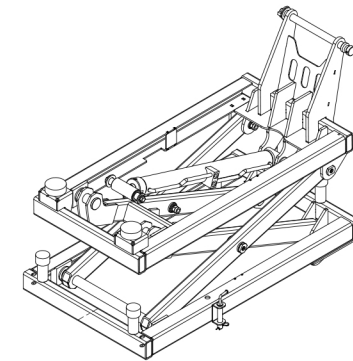
			Description	
1	B.0403.008		Electric Transmission Type KT-T28575	1
2	B.0101.007		Wheel Complete(8")	1
3	B.0101.007		Wheel Complete(8")	1
4	C.0206.14		Domed cap nut Type 1 M14×1.5	8
5	C.1207.008		Front wheel dust cover	2



EMD500HLS	
Delmer B.V. Hogeschoollaan 231 5037 GC Tilburg Netherlands	
	



			Description	
1	A.501EZP110100		Lifting Device	1
2	A.501EP100100		Lifting Device	1
3	A.501EP0802		Cylinder Pin Shaft	1
4	A.501EP0803		Cylinder Pin Shaft	1
5	A.501EP0804		Pin Shaft	2
6	A.501EP0805		Pin Shaft	4
7	A.501EP0806		Bucket Pin Shaft	1
8	A.501EP0807		Sliders	4
9	A.501EP0808		Safety Pin	2
10	A.501EP090100		Scissor Rod 1	1
11	A.501EP090200		Scissor Rod 2	1
12	B.1202.007		VE 60×22-10×27	2
13	B.1202.004		VE 40×25-10×27	4
14	B.0704.006		Cylinder	1
15	C.0505.001		SF-1F flanged shaft sleeve	4
16	C.0604.0245		Wave pin 2x45	2
17	C.0602.001		Ring Fuse 4.5x36	1
18	C.0301.24		GB_FASTENER_WASHER_SMWC 24	4
19	C.0301.20		GB_FASTENER_WASHER_SMWC 20	4
20	C.0301.12		GB_FASTENER_WASHER_SMWC 12	6
21	C.0302.12		GB_FASTENER_WASHER_SSWL 12	6
22	C.0301.10.1		GB_FASTENER_WASHER_PWLAC 10	1
23	C.0203.12		GB_HEXAGON_TYPE9 M12-N	6
24	C.0401.20		GB_CONNECTING_PIECE_RING_RRA 20	2
25	C.0401.24		GB_CONNECTING_PIECE_RING_RRA 24	4
26	C.0102.1020		GB_FASTENER_BOLT_HFBB M10X20-N	1



EMD500HLS

Delmer B.V.
 Hogeschoollaan 231
 5037 GC Tilburg
 Netherlands

